

## Main [OB1]

### Main Properties

#### General

<b>Name</b>	Main	<b>Number</b>	1	<b>Type</b>	OB	<b>Language</b>	LAD
<b>Numbering</b>	manual						

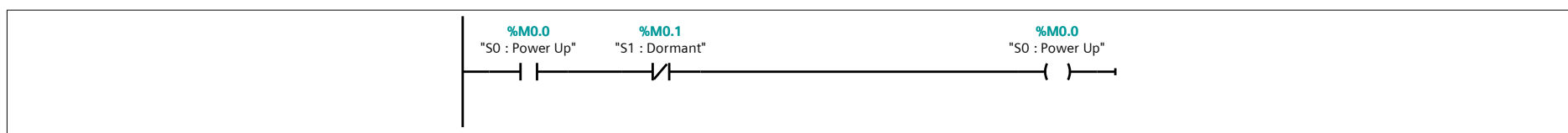
#### Information

<b>Title</b>	"Main Program Sweep (Cycle)"	<b>Author</b>		<b>Comment</b>		<b>Family</b>	
<b>Version</b>	0.1	<b>User-defined ID</b>					

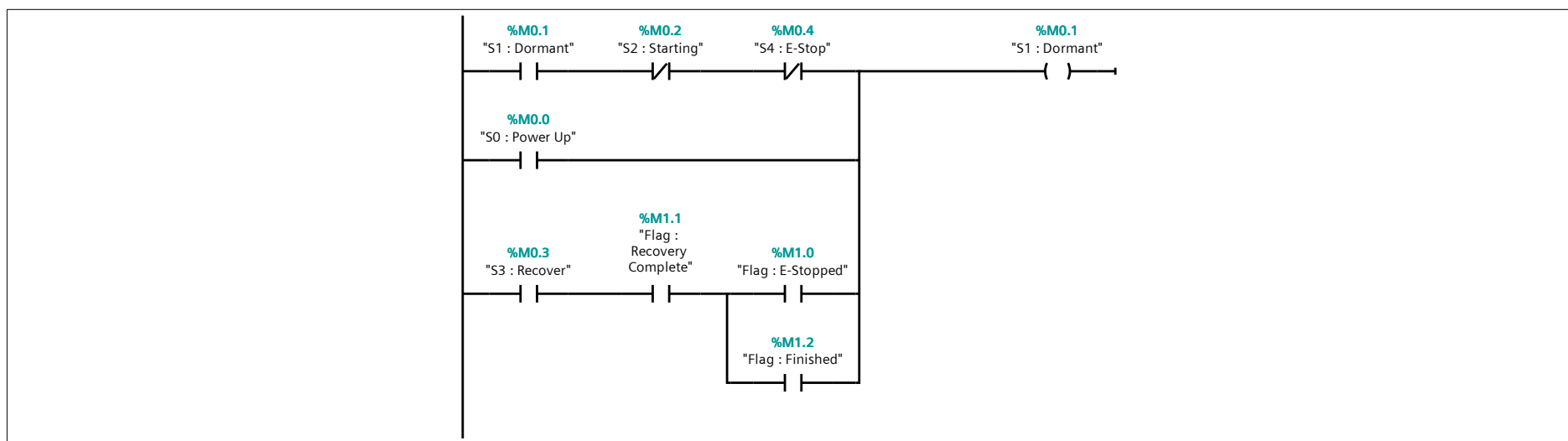
Name	Data type	Default value
▼ Temp		
OB1_EV_CLASS	Byte	
OB1_SCAN_1	Byte	
OB1_PRIORITY	Byte	
OB1_OB_NUMBR	Byte	
OB1_RESERVED_1	Byte	
OB1_RESERVED_2	Byte	
OB1_PREV_CYCLE	Int	
OB1_MIN_CYCLE	Int	
OB1_MAX_CYCLE	Int	
OB1_DATE_TIME	Date_And_Time	
Constant		

### Network 1: Power Up Transitions

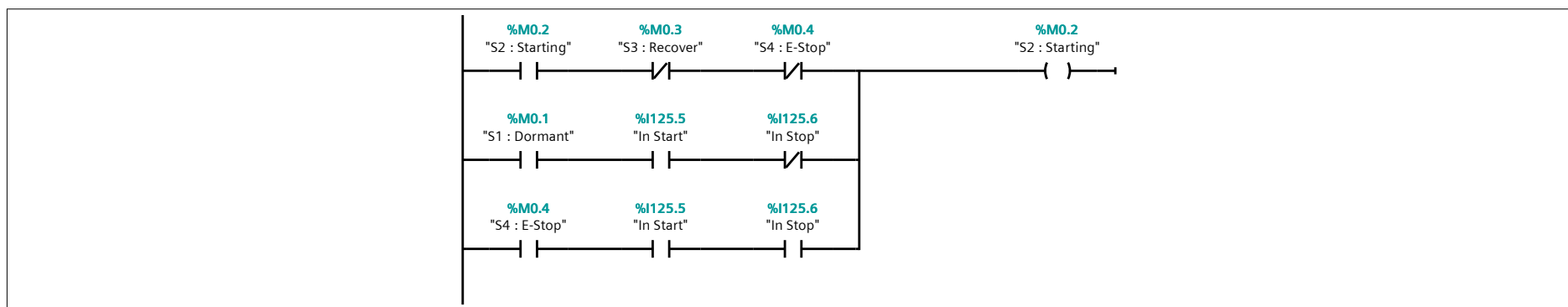
Power Up



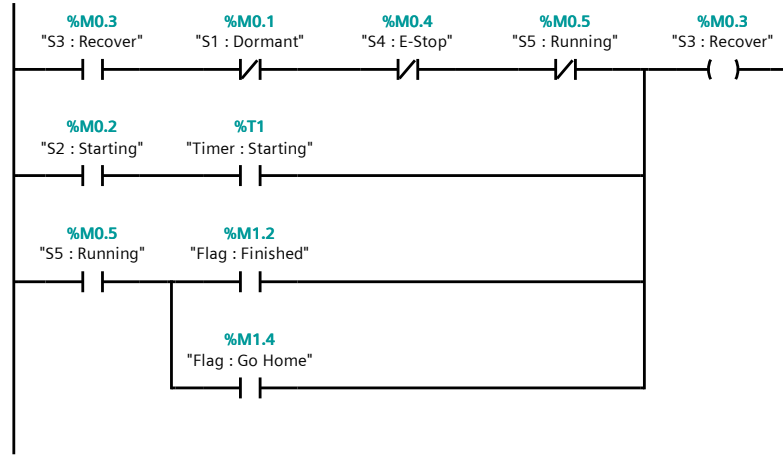
### Network 2: Dormant Transitions



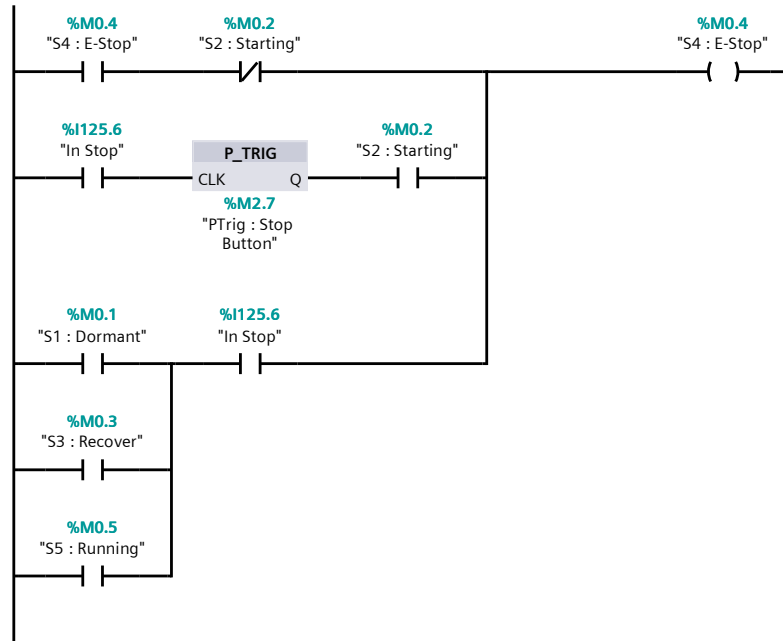
### Network 3: Starting Transitions



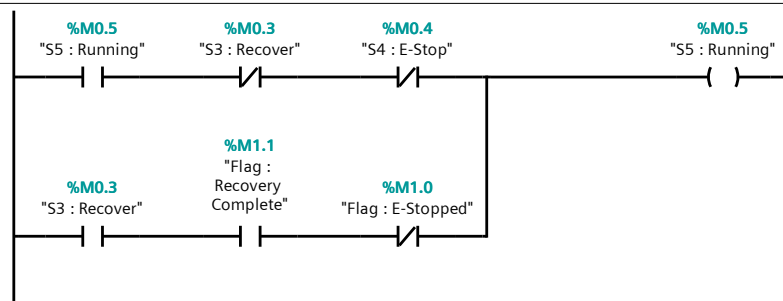
### Network 4: Recover Transitions



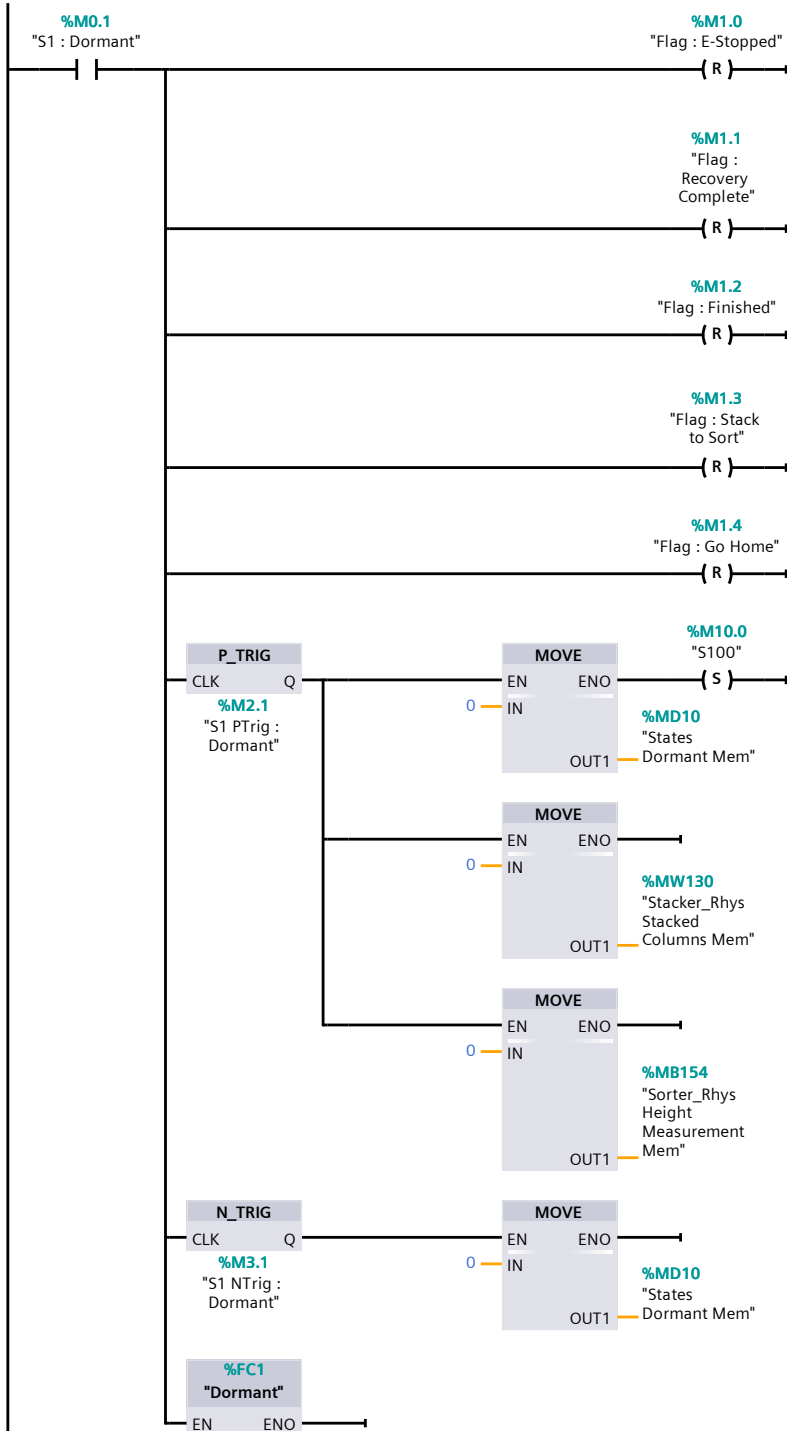
**Network 5: E-Stop Transitions**



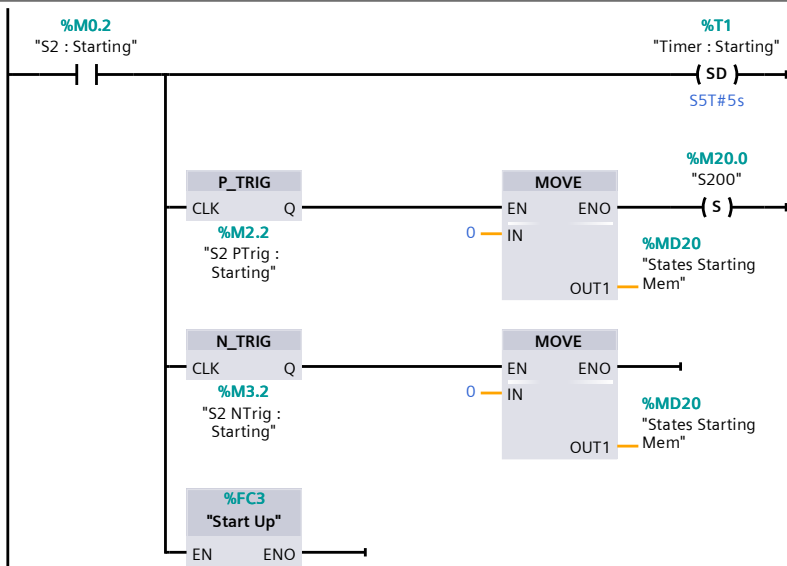
**Network 6: Running Transitions**



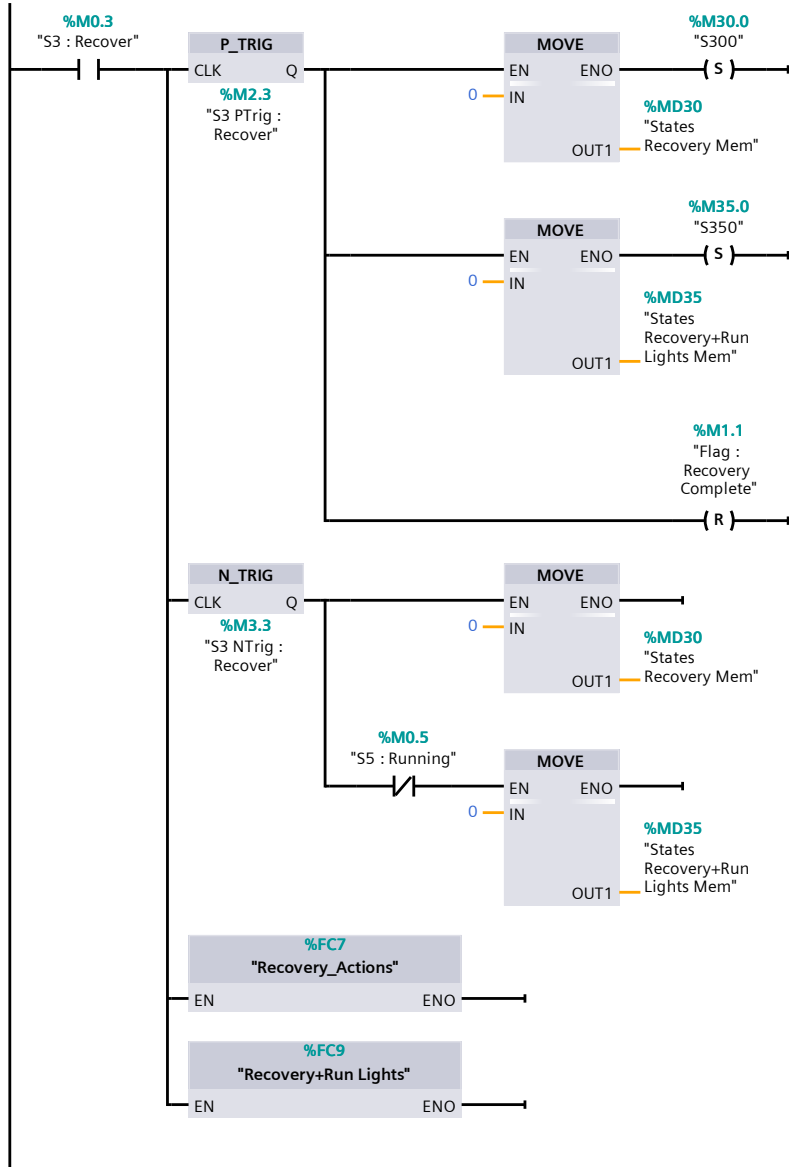
**Network 7: Dormant Actions**



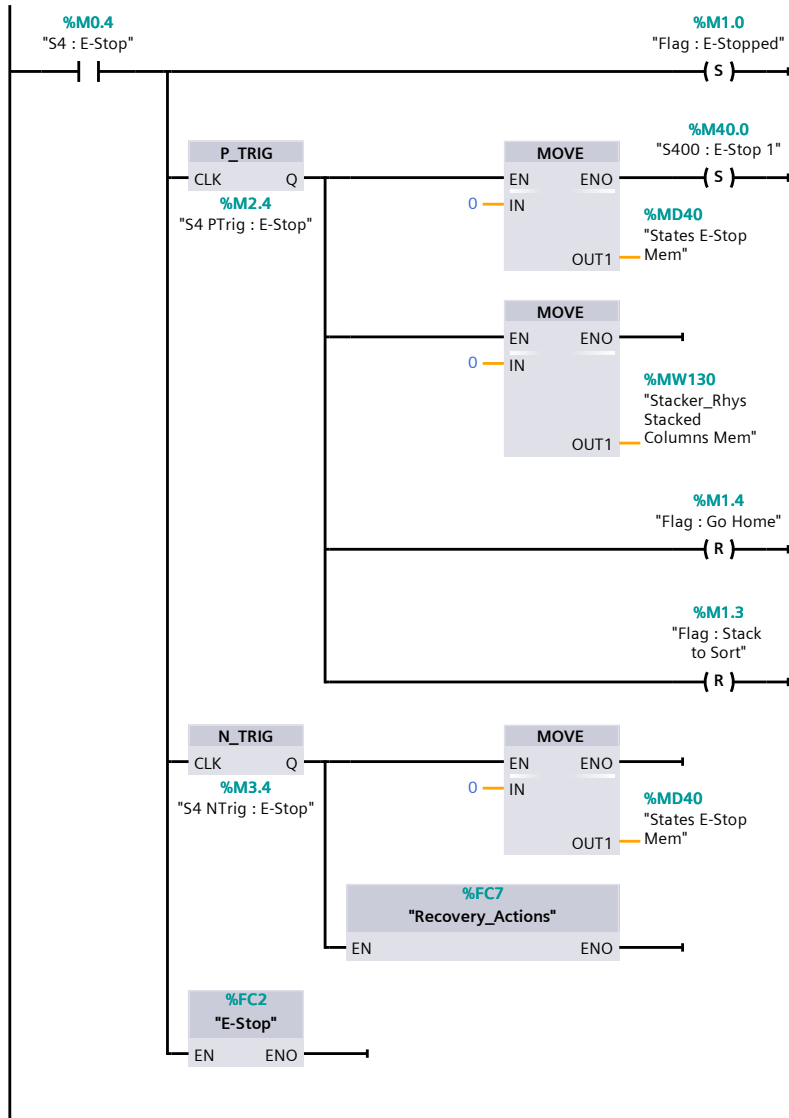
Network 8: Starting Actions



Network 9: Recover Actions

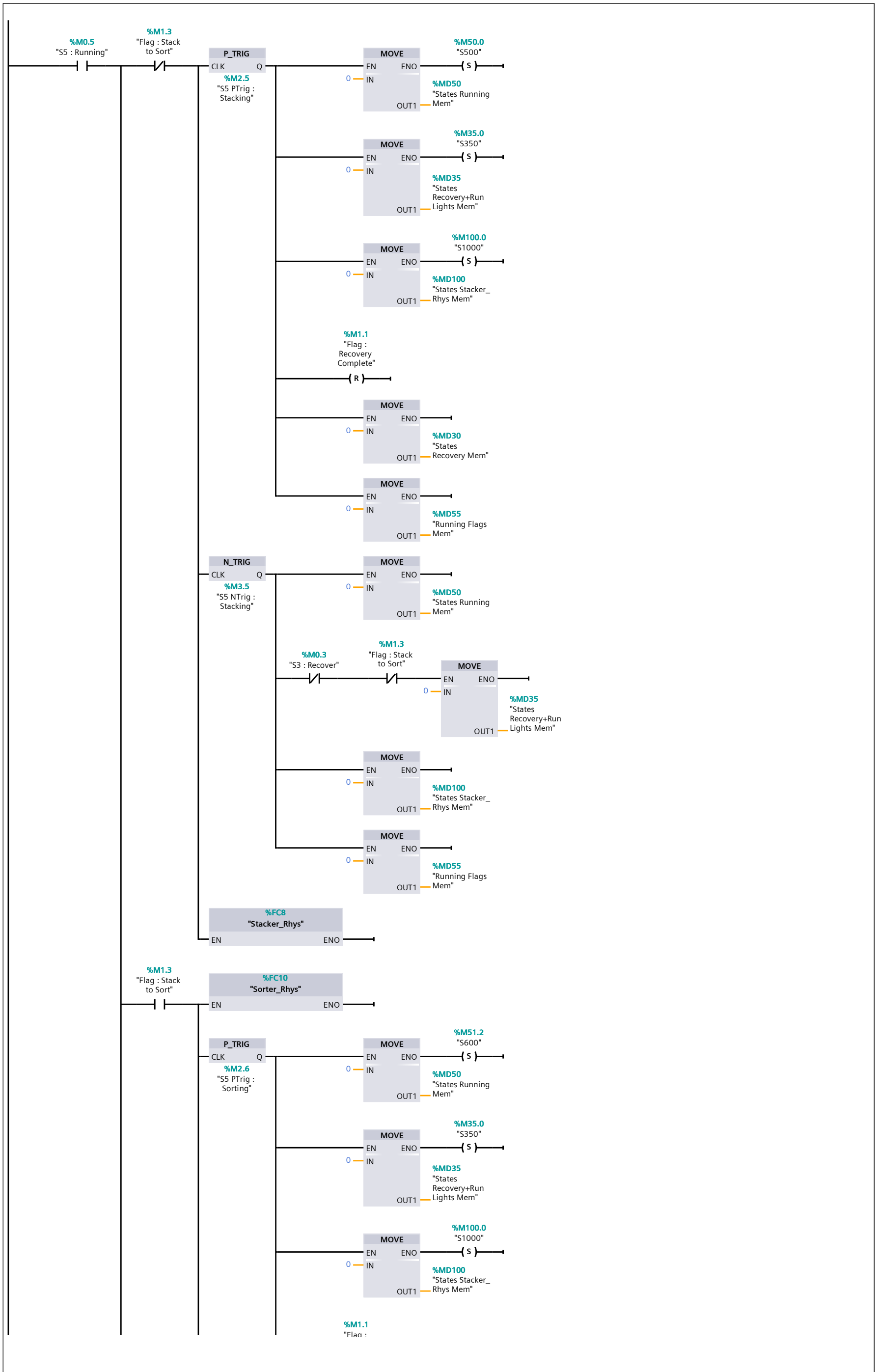


Network 10: E-Stop Actions



Network 11: Running Actions

Network 11: Running Actions (1.1 / 2.1)



Network 11: Running Actions (2.1 / 2.1)

1.1 ( Page1 - 5)

